

**S1**

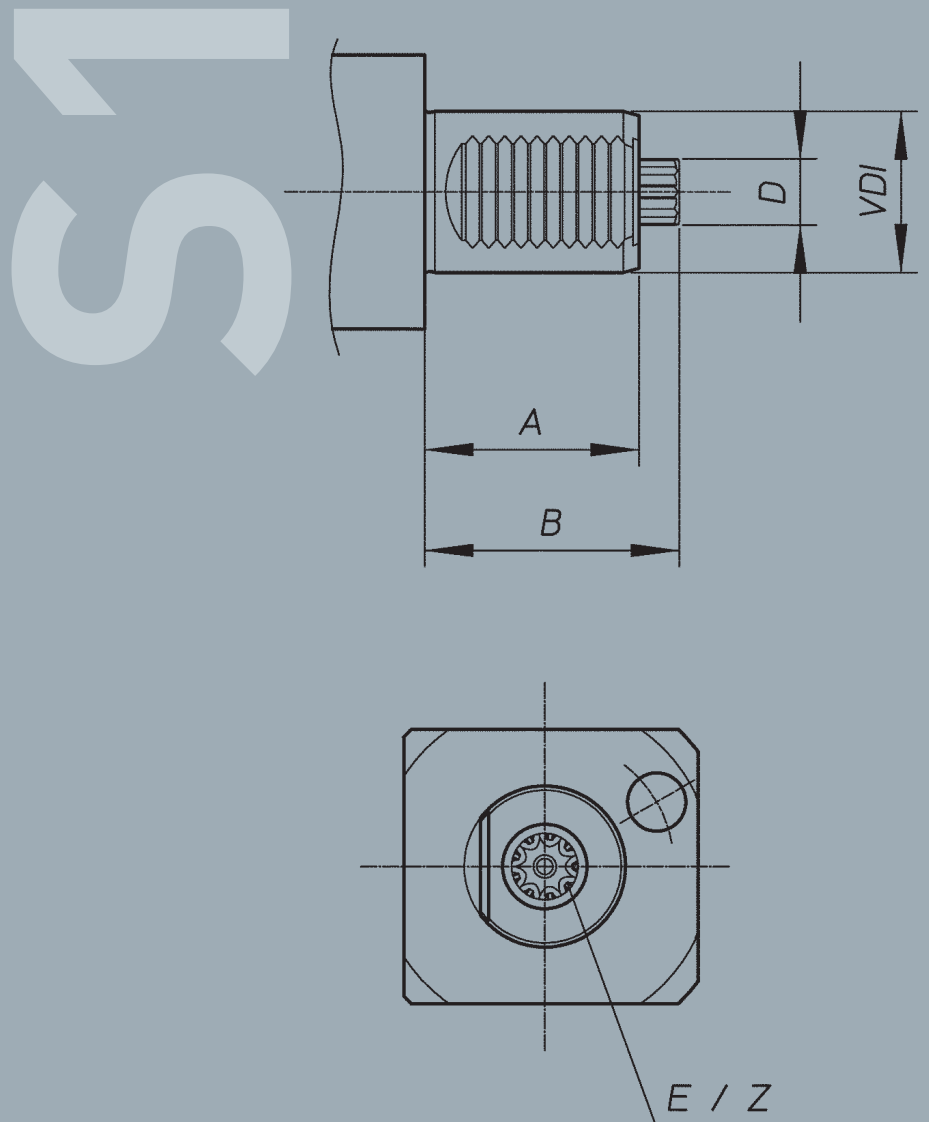
DIN 5482

**PRESA DI MOTO**  
COUPLING  
ACCOUPLLEMENT  
KUPPLUNG



**S1**

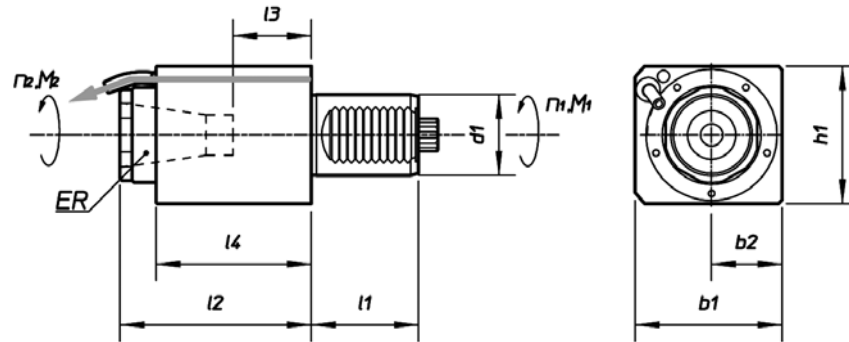
DIN 5482



VDI	A	B	D	E	Z
30	45	55	14,5	B15X12	8
40	53	63	16,5	B17X14	9
50	78	93	19,5	B20X17	12
60	94	108	24,5	B25X22	14

1/S1

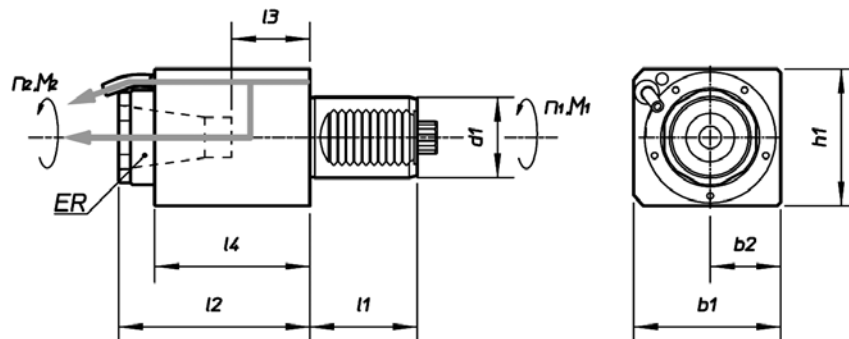
Assiale	Portapinza	Refrigerazione esterna
Axial	Collet chuck	External coolant supply
Axial	Pince de serrage	Alimentation d'arrosage extérieur
Axial	Spannzangeaufnahme	Kühlschmierstoffzuführung extern

 $i = n1:n2 = +1 (1:1)$ 
**S1**  
 DIN 5482


Codice - code - code - Bestell Nr.	d1	ER	l1	l2	l3	l4	b1	b2	h1	M <sub>2</sub> Nm	n <sub>2</sub> min-1	p kw		
<b>RAPPS 30 121US1</b>	30	25	45	94	39	88	62	31	64	32	6000	8		
<b>RAPPS 40 121US1</b>	40	32	53	115	54	97	73	35	70	63	5000	10		
<b>RAPPS 50 121US1</b>	50	40	78	150	75	142	88	44	88	100	4000	12		
<b>RAPPS 60 121US1</b>	60	50	94	220	110	168	110	55	110	160	3200	15		

2/S1

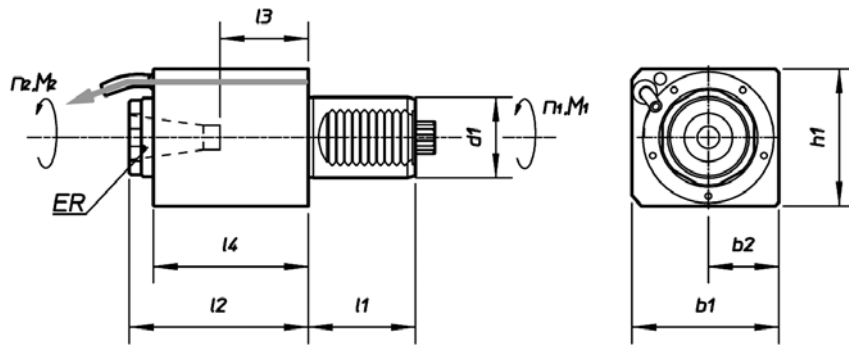
Assiale	Portapinza	Refrigerazione interna-esterna
Axial	Collet chuck	External and internal coolant supply
Axial	Pince de serrage	Alimentation d'arrosage extérieur et intérieur
Axial	Spannzangeaufnahme	Kühlschmierstoffzuführung extern und intern

 $i = n1:n2 = +1 (1:1)$ 


Codice - code - code - Bestell Nr.	d1	ER	l1	l2	l3	l4	b1	b2	h1	M <sub>2</sub> Nm	n <sub>2</sub> min-1	p kw		
<b>RAPPS 30 131US1</b>	30	25	45	94	39	88	62	31	64	32	6000	8		
<b>RAPPS 40 131US1</b>	40	32	53	115	54	97	73	35	70	63	5000	10		
<b>RAPPS 50 131US1</b>	50	40	78	133	45	112	88	44	88	100	4000	12		
<b>RAPPS 60 131US1</b>	60	50	94	228	110	168	110	55	110	160	3200	15		

3/S1

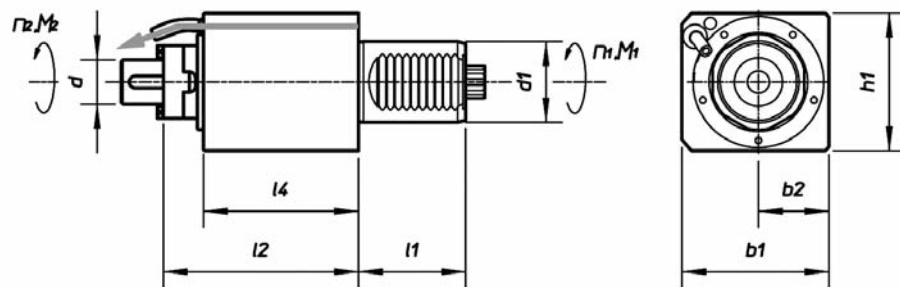
Assiale	Portapinza	Refrigerazione esterna
Axial	Collet chuck	External coolant supply
Axial	Pince de serrage	Alimentation d'arrosage extérieur
Axial	Spannzangeaufnahme	Kühlschmierstoffzuführung extern

 $i = n1:n2 = +0,25 (1:4)$ 


Codice - code - code - Bestell Nr.	d1	ER	l1	l2	l3	l4	b1	b2	h1	M <sub>2</sub> Nm	n <sub>2</sub> min-1	p kw		
<b>RAPPS 30 122US1</b>	<b>30</b>	<b>16</b>	45	100	58	88	62	31	64	8	20000	4		
<b>RAPPS 40 122US1</b>	<b>40</b>	<b>20</b>	53	112,5	74,5	106	76	38	76	16	16000	5		
<b>RAPPS 50 122US1</b>	<b>50</b>	<b>20</b>	78	128,5	88,5	122	88	44	88	25	16000	6		

4/S1

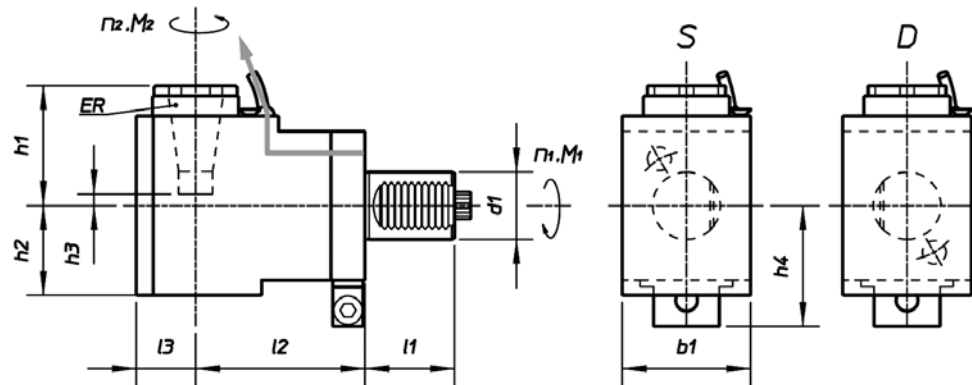
Assiale	Portafresa	Refrigerazione esterna
Axial	Shell end milling cutters	External coolant supply
Axial	Fraises enfichables	Alimentation d'arrosage extérieur
Axial	Fräseraufnahme	Kühlschmierstoffzuführung extern

 $i = n1:n2 = +1 (1:1)$ 


Codice - code - code - Bestell Nr.	d1	d	l1	l2	l3	l4	b1	b2	h1	M <sub>2</sub> Nm	n <sub>2</sub> min-1	p kw		
<b>RAPFS 30 121US1</b>	<b>30</b>	<b>Ø 22</b>	45	112		88	62	31	64	32	6000	8		
<b>RAPFS 40 121US1</b>	<b>40</b>	<b>Ø 22</b>	53	124		99	73	35	70	63	5000	10		

5/S1

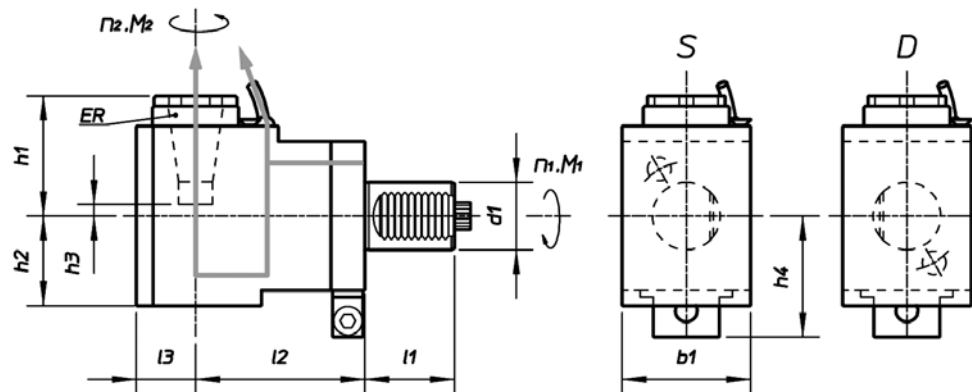
Radiale	Portapinza	Refrigerazione esterna
Radial	Collet chuck	External coolant supply
Radial	Pince de serrage	Alimentation d'arrosage extérieur
Radial	Spannzangeaufnahme	Kühlschmierstoffzuführung extern

 $i = n_1:n_2 = -1 (1:1)$ 
**S1**  
 DIN 5482


Codice - code - code - Bestell Nr.		d1	ER	l1	l2	l3	b1	h1	h2	h3	h4	M <sub>2</sub> Nm	n <sub>2</sub> min-1	p kw
S	D													
<b>RRPPS 30 121SS1</b>	<b>RRPPS 30 121DS1</b>	<b>30</b>	<b>25</b>	45	<b>55</b>	31	64	56	48	3	52	32	6000	8
<b>RRPPS 40 121SS1</b>	<b>RRPPS 40 121DS1</b>	<b>40</b>	<b>32</b>	53	<b>100</b>	35	76	71	55	11	71	63	5000	10
<b>RRPPS 50 121SS1</b>	<b>RRPPS 50 121DS1</b>	<b>50</b>	<b>40</b>	78	<b>110</b>	44	88	92	62	17	80,5	100	4000	12
<b>RRPPS 60 121SS1</b>	<b>RRPPS 60 121DS1</b>	<b>60</b>	<b>50</b>	94	<b>130</b>	55	110	149	102	39	103	160	3200	15

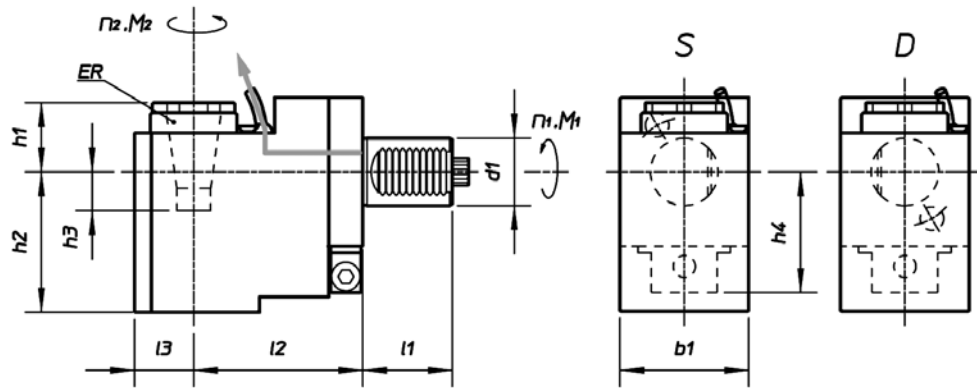
6/S1

Radiale	Portapinza	Refrigerazione interna-esterna
Radial	Collet chuck	External and internal coolant supply
Radial	Pince de serrage	Alimentation d'arrosage extérieur et intérieur
Radial	Spannzangeaufnahme	Kühlschmierstoffzuführung extern und intern

 $i = n_1:n_2 = -1 (1:1)$ 


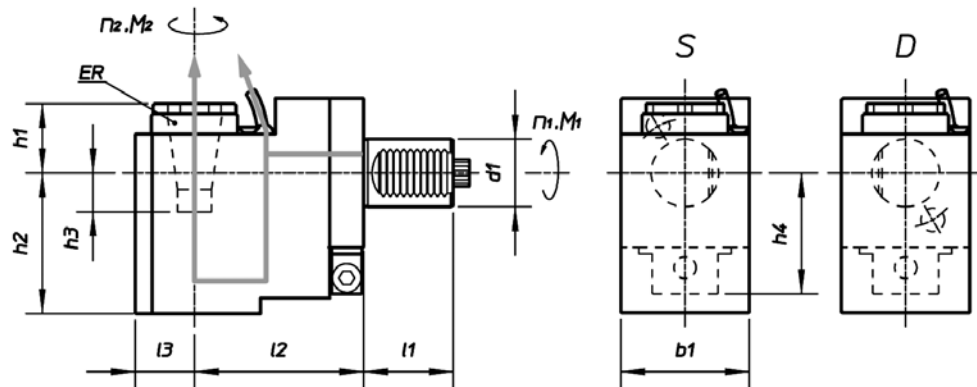
Codice - code - code - Bestell Nr.		d1	ER	l1	l2	l3	b1	h1	h2	h3	h4	M <sub>2</sub> Nm	n <sub>2</sub> min-1	p kw
S	D													
<b>RRPPS 30 131SS1</b>	<b>RRPPS 30 131DS1</b>	<b>30</b>	<b>25</b>	45	<b>55</b>	31	64	56	60	2	52	32	6000	8
<b>RRPPS 40 131SS1</b>	<b>RRPPS 40 131DS1</b>	<b>40</b>	<b>32</b>	53	<b>100</b>	35	76	71	62	11	71	63	5000	10
<b>RRPPS 50 131SS1</b>	<b>RRPPS 50 131DS1</b>	<b>50</b>	<b>40</b>	78	<b>110</b>	44	88	105	79,5	17	80,5	100	4000	12
<b>RRPPS 60 131SS1</b>	<b>RRPPS 60 131DS1</b>	<b>60</b>	<b>50</b>	94	<b>130</b>	55	110	157	102	39	103	160	3200	15

Arretrato Rear offset Décalée en arrière Zurückgesetzt	Portapinza Collet chuck Pince de serrage Spannzangeaufnahme	Refrigerazione esterna External coolant supply Alimentation d'arrosage extérieur Kühlschmierstoffzuführung extern
---	--	--

 $i = n1:n2 = +1 (1:1)$ 


Codice - code - code - Bestell Nr.		d1	ER	l1	l2	l3	b1	h1	h2	h3	h4	M <sub>2</sub> Nm	n <sub>2</sub> min-1	p kw
S	D													
RRPPA 30 321SS1	RRPPA 30 321DS1	30	25	45	85	31	64	14,5	90	45	52	32	6000	8
RRPPA 40 121SS1	RRPPA 40 121DS1	40	32	53	100	35	76	20	106	40	72,5	63	5000	10
RRPPA 50 121SS1	RRPPA 50 121DS1	50	40	78	110	44	88	31	123	44	80,5	100	4000	12
RRPPA 60 121SS1	RRPPA 60 121DS1	60	50	94	135	55	110	67	184	43	103	160	3200	15

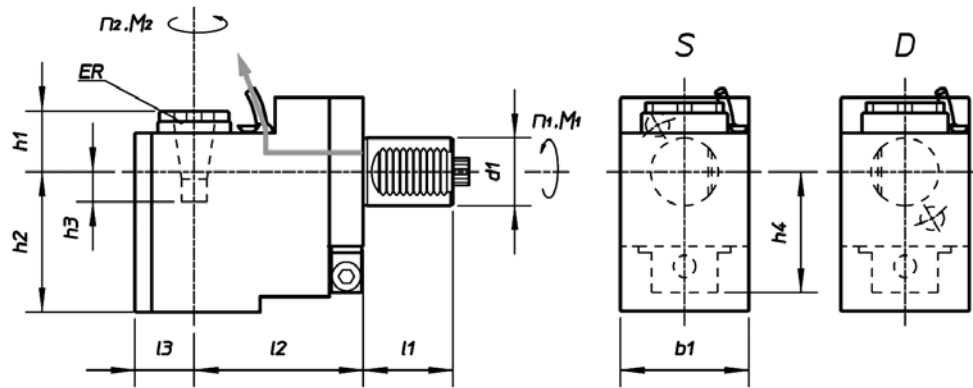
Arretrato Rear offset Décalée en arrière Zurückgesetzt	Portapinza Collet chuck Pince de serrage Spannzangeaufnahme	Refrigerazione interna-esterna External and internal coolant supply Alimentation d'arrosage extérieur et intérieur Kühlschmierstoffzuführung extern und intern
---	--	---

 $i = n1:n2 = +1 (1:1)$ 


Codice - code - code - Bestell Nr.		d1	ER	l1	l2	l3	b1	h1	h2	h3	h4	M <sub>2</sub> Nm	n <sub>2</sub> min-1	p kw
S	D													
RRPPA 30 331SS1	RRPPA 30 331DS1	30	25	45	85	31	64	24	105,5	45,5	52	32	6000	8
RRPPA 40 131SS1	RRPPA 40 131DS1	40	32	53	100	35	76	30	124	40	72,5	63	5000	10
RRPPA 50 131SS1	RRPPA 50 131DS1	50	40	78	110	44	88	44	140,5	44	80,5	100	4000	12
RRPPA 60 131SS1	RRPPA 60 131DS1	60	50	94	135	55	110	75	184	43	103	160	3200	15

9/S1

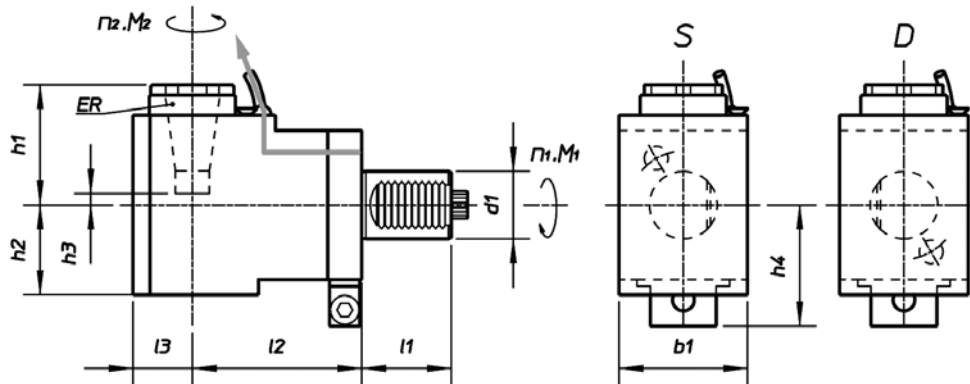
Arretrato Rear offset Décalée en arrière Zurückgesetzt	Portapinza Collet chuck Pince de serrage Spannzangeaufnahme	Refrigerazione esterna External coolant supply Alimentation d'arrosage extérieur Kühlschmierstoffzuführung extern
---	--	--

 $i = n1:n2 = +0,25 (1:4)$ 
**S1**  
 DIN 5482


Codice - code - code - Bestell Nr.		d1	ER	l1	l2	l3	b1	h1	h2	h3	h4	M <sub>2</sub> Nm	n <sub>2</sub> min-1	p kw
S	D													
<b>RRPPA 30 122SS1</b>	<b>RRPPA 30 122DS1</b>	<b>30</b>	<b>16</b>	45	<b>95</b>	21	64	33	84	15	56	8	20000	4
<b>RRPPA 40 122SS1</b>	<b>RRPPA 40 122DS1</b>	<b>40</b>	<b>20</b>	53	<b>125</b>	27	76	45	108	10	65,5	16	16000	5
<b>RRPPA 50 122SS1</b>	<b>RRPPA 50 122DS1</b>	<b>50</b>	<b>20</b>	78	<b>135</b>	27	86	45	113	10	73,5	25	16000	6

10/S1

Radiale Radial Radial Radial	Portapinza Collet chuck Pince de serrage Spannzangeaufnahme	Refrigerazione esterna External coolant supply Alimentation d'arrosage extérieur Kühlschmierstoffzuführung extern
---------------------------------------	--	--

 $i = n1:n2 = -2 (2:1)$ 


Codice - code - code - Bestell Nr.		d1	ER	l1	l2	l3	b1	h1	h2	h3	h4	M <sub>2</sub> Nm	n <sub>2</sub> min-1	p kw
S	D													
<b>RRPPS 30 123SS1</b>	<b>RRPPS 30 123DS1</b>	<b>30</b>	<b>25</b>	45	<b>55</b>	31	64	56,5	48	3	52	63	2500	8
<b>RRPPS 40 123SS1</b>	<b>RRPPS 40 123DS1</b>	<b>40</b>	<b>32</b>	53	<b>100</b>	35	76	71	55	-11	72,5	63	2000	8



**S1**

DIN 5482

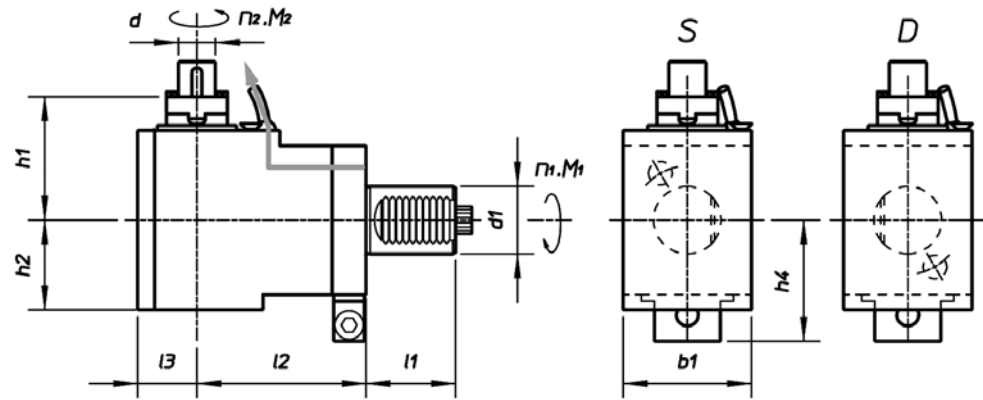
11/S1

Radiale  
Radial  
Radial  
Radial

Portafresa  
Shell end milling cutters  
Fraises enfichables  
Fräseraufnahme

Refrigerazione esterna  
External coolant supply  
Alimentation d'arrosage extérieur  
Kühlschmierstoffzuführung extern

$i = n1:n2 = -2 (2:1)$



Codice - code - code - Bestell Nr.		d1	d	l1	l2	l3	b1	h1	h2	h4	M <sub>2</sub> Nm	n <sub>2</sub> min-1	p kw		
S	D														
RRPFS 30 123SS1	RRPFS 30 123DS1	30	Ø 22	45	55	31	64	74	48	52	63	2500	8		
RRPFS 40 123SS1	RRPFS 40 123DS1	40	Ø 22	53	100	35	76	78	55	72,5	63	2000	8		

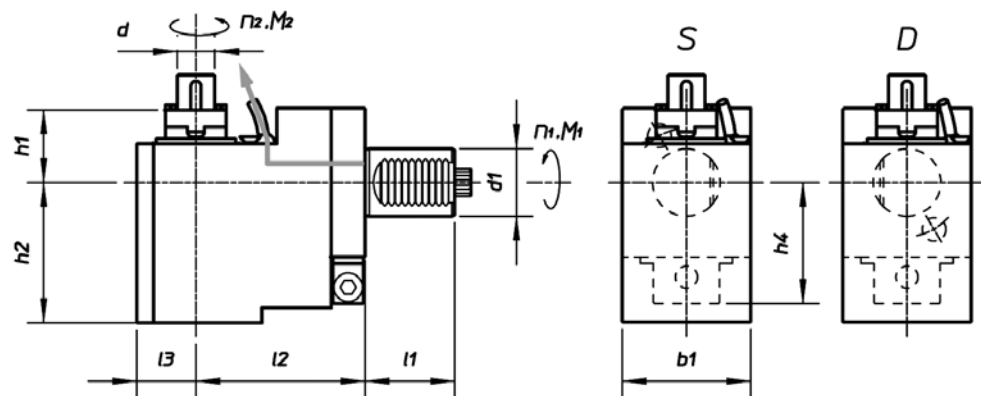
12/S1

Arretrato  
Rear offset  
Décalée en arrière  
Zurückgesetzt

Portafresa  
Shell end milling cutters  
Fraises enfichables  
Fräseraufnahme

Refrigerazione esterna  
External coolant supply  
Alimentation d'arrosage extérieur  
Kühlschmierstoffzuführung extern

$i = n1:n2 = +1 (1:1)$

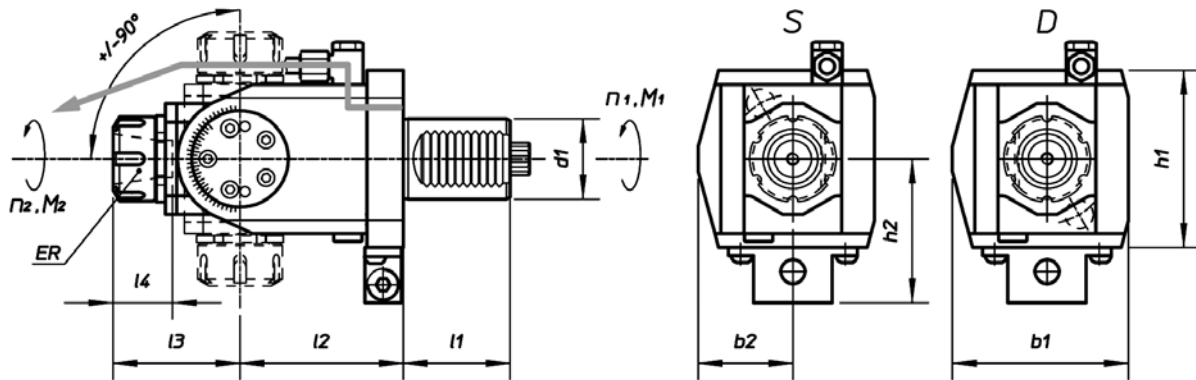


Codice - code - code - Bestell Nr.		d1	d	l1	l2	l3	b1	h1	h2	h4	M <sub>2</sub> Nm	n <sub>2</sub> min-1	p kw		
S	D														
RRPFA 30 321SS1	RRPFA 30 321DS1	30	Ø 22	45	85	31	64	32	90	52	32	2500	8		
RRPFA 40 121SS1	RRPFA 40 121DS1	40	Ø 22	53	100	35	76	27	106	72,5	63	4000	10		



15/S1

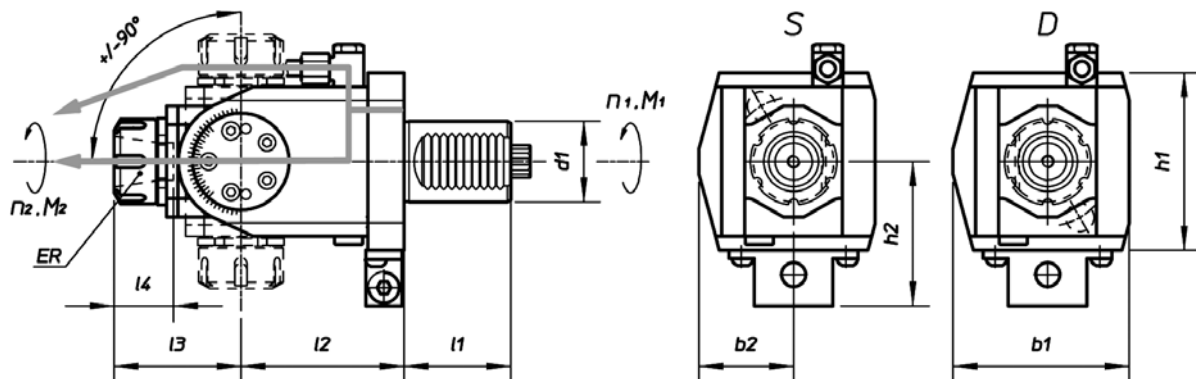
Orientabile Angle adjustable Angle réglable winkeleinstellbar	Portapinza Collet chuck Pince de serrage Spannzangeaufnahme	Refrigerazione esterna External coolant supply Alimentation d'arrosage extérieur Kühlschmierstoffzuführung extern
--	--	--

 $i = n1:n2 = +1 (1:1)$ 
**S1**  
 DIN 5482


Codice - code - code - Bestell Nr.		d1	ER	l1	l2	l3	l4	b1	b2	h1	h2	M <sub>2</sub> Nm	n <sub>2</sub> min-1	p kw
S	D													
<b>ROPPS 30 221SS1</b>	<b>ROPPS 30 221DS1</b>	<b>30</b>	<b>20</b>	45	<b>64</b>	52	37	70	37	64	54	15	6000	3
<b>ROPPS 30 321SS1</b>	<b>ROPPS 30 321DS1</b>	<b>30</b>	<b>20</b>	45	<b>97</b>	52	37	70	37	64	54	15	6000	3
<b>ROPPS 40 121SS1</b>	<b>ROPPS 40 121DS1</b>	<b>40</b>	<b>25</b>	53	<b>81</b>	63	42	87	47	88	71	25	5000	4
<b>ROPPS 50 121SS1</b>	<b>ROPPS 50 121DS1</b>	<b>50</b>	<b>25</b>	78	<b>100</b>	67	47	91	54	88	72	25	4000	6

16/S1

Orientabile Angle adjustable Angle réglable winkeleinstellbar	Portapinza Collet chuck Pince de serrage Spannzangeaufnahme	Refrigerazione interna-esterna External and internal coolant supply Alimentation d'arrosage extérieur et intérieur Kühlschmierstoffzuführung extern und intern
--	--	---

 $i = n1:n2 = +1 (1:1)$ 


Codice - code - code - Bestell Nr.		d1	ER	l1	l2	l3	b1	h1	h2	h3	h4	M <sub>2</sub> Nm	n <sub>2</sub> min-1	p kw
S	D													
<b>ROPPS 30 231SS1</b>	<b>ROPPS 30 231DS1</b>	<b>30</b>	<b>20</b>	45	<b>64</b>	52	37	70	37	64	54	15	6000	3
<b>ROPPS 30 331SS1</b>	<b>ROPPS 30 331DS1</b>	<b>30</b>	<b>20</b>	45	<b>97</b>	52	37	70	37	64	54	15	6000	3
<b>ROPPS 40 131SS1</b>	<b>ROPPS 40 131DS1</b>	<b>40</b>	<b>25</b>	53	<b>81</b>	63	42	87	47	88	71	25	5000	4