



## BG61 Bore Gauge



Workpiece Measurement



Radio Transmission



Wear-free Measuring Mechanism



Mass Production



Diameter Measurement



Position Measurement



Roundness Measurement



Cylindricity Measurement



Concentricity Measurement

Bore Gauge **BG61**

**BLUM**  
focus on productivity



# BG61 | Bore Gauge | Tactile workpiece measuring system with BRC radio transmission

## Customized solution for determination of multiple characteristics in bore production

- Solution with up to 8 individual measuring elements
- Measurement of diameter, position, cylindricity, roundness and concentricity
- Instant process control due to calculation of tool compensation values
- Machine-independent measuring system

### Your benefit:

- Extremely fast measurement
- Measurement in initial setting
- Easy pairing procedure between BG and receiver
- Use of up to 16 measuring systems with one receiver
- Elimination of costly post-process measuring station
- Increased productivity and production quality
- Proven and robust design

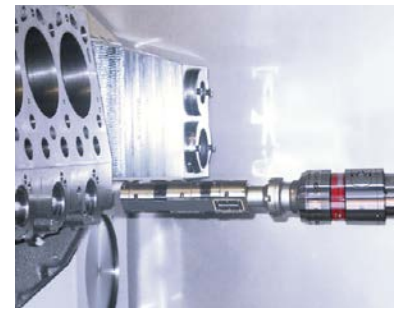
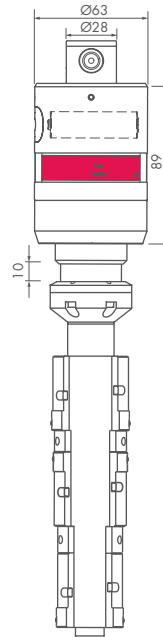
### BRC Radio Technology

Sequential use of up to 16 measuring systems with one radio receiver.

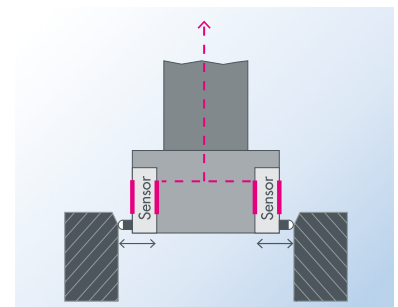


### Technical data

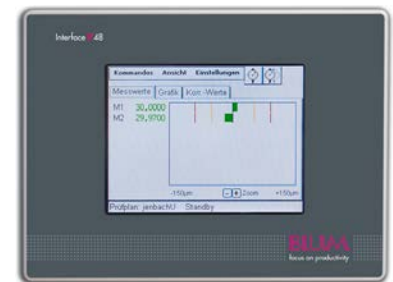
Protection class	IP67
Resolution	12 Bit/0.15 µm
Linearity	1 % of the measuring range
Collision protection: max. overtravel	Z: 6 mm   X/Y: 6°
Maximum feed	without limiting
Signal transmission	Radio
Frequency band	2.4000 - 2.4835 GHz
Transmission power	0 dBm
Operating range	15 m
Battery (2 pieces)	Saft Lithium LS14500 (AA, 3.6 V) 2600 mAh
Mass	1.2 ... 1.5 kg (depending on type)
Tool holder	BTH 50 (HSK, SK, BT, VDI, ...)



BG61 in cylinder block production



Measuring principle BG61



Process control & logging with IF48



focus on productivity

### Blum worldwide Service & Support

More than 40 subsidiaries and service offices.

[www.blum-novotest.com](http://www.blum-novotest.com)

### Blum-Novotest Ltd.

Unit 15 Granary Wharf Business Park  
Wetmore Road, Burton upon Trent  
Staffordshire, DE14 1DU  
United Kingdom  
Phone: +44 1283 569691  
Fax: +44 1283 563687  
info@blum-novotest.co.uk

### Blum-Novotest, Inc.

4144 Olympic Boulevard  
Erlanger, KY 41018  
USA

Phone: +1 (859) 344 6789  
Fax: +1 (859) 344 6799  
solutions@blum-novotest.us